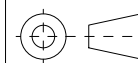


PUMPS & EQUIPMENT (WARWICK) LTD. © 2020
6 COLLINS ROAD, HEATHCOTE INDUSTRIAL ESTATE,
WARWICK CV34 6TF
Tel: +44 (0) 1926 451744

ALL DIMENSIONS IN MILLIMETERS.
TOLERANCES ON MACHINED DIMENSIONS:
UNLESS OTHERWISE STATED ± 0.2
ANGLES $\pm 0.2^\circ$



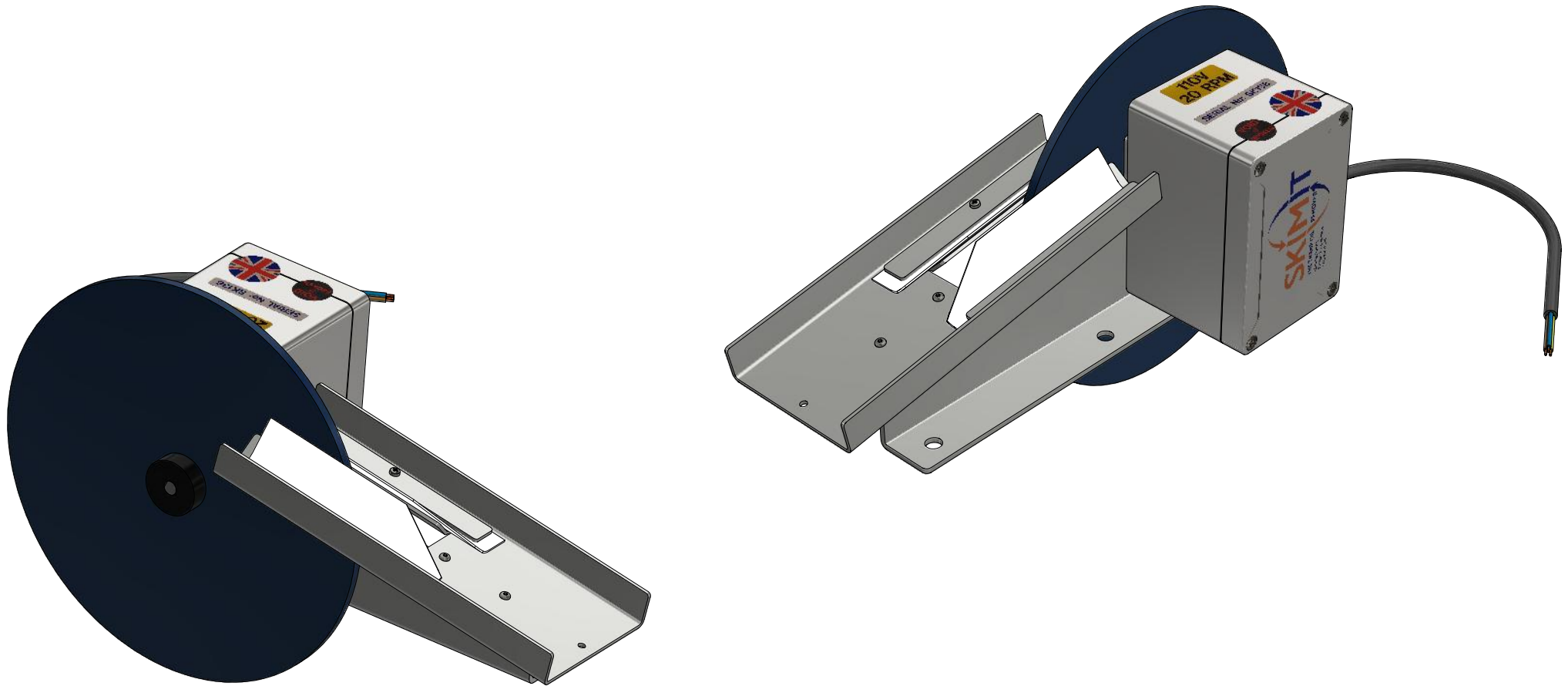
DRAWN: DL
DATE: 30/10/2020
SCALE: 1 : 4
ISSUE: A


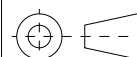
MATERIAL:
Mild Steel Fabrication
FINISH:
EPC RAL 9002

TITLE:
Skimit - Disk Skimmer - GA

DRG N°:
PE1-1454

SHEET N°:
1 of 2



	PUMPS & EQUIPMENT (WARWICK) LTD. © 2020 6 COLLINS ROAD, HEATHCOTE INDUSTRIAL ESTATE, WARWICK CV34 6TF Tel: +44 (0) 1926 451744	DRAWN: DL	MATERIAL: Mild Steel Fabrication	TITLE: Skimit - Disk Skimmer - GA	
		DATE: 30/10/2020		SCALE: 1 : 3	FINISH: EPC RAL 9002
ALL DIMENSIONS IN MILLIMETERS. TOLERANCES ON MACHINED DIMENSIONS: UNLESS OTHERWISE STATED ± 0.2 ANGLES ± 0.2°			ISSUE: A		