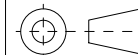


PUMPS & EQUIPMENT (WARWICK) LTD. © 2020
 6 COLLINS ROAD, HEATHCOTE INDUSTRIAL ESTATE,
 WARWICK CV34 6TF
 Tel: +44 (0) 1926 451744

ALL DIMENSIONS IN MILLIMETERS.
 TOLERANCES ON MACHINED DIMENSIONS:
 UNLESS OTHERWISE STATED ± 0.2
 ANGLES ± 0.2°



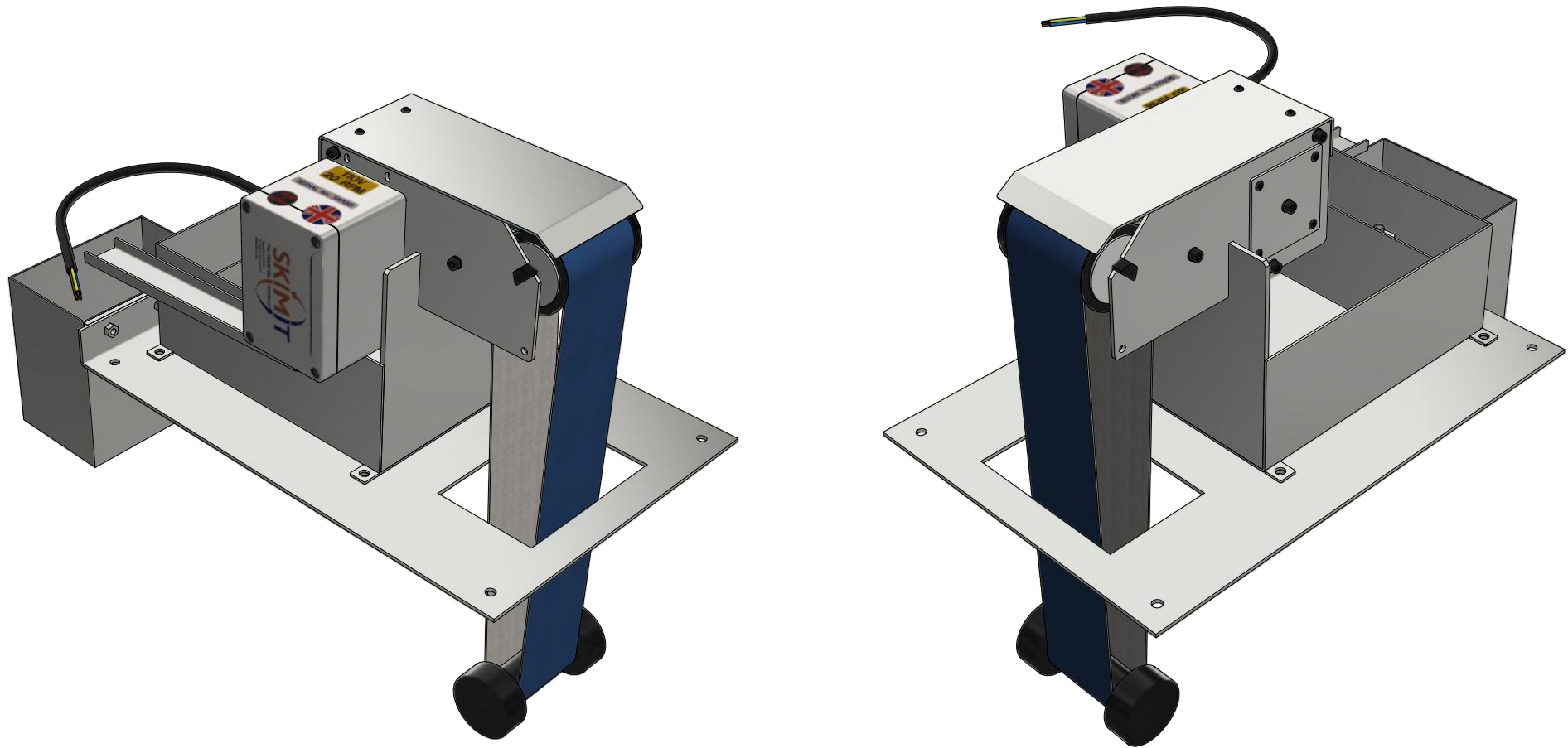
DRAWN: DL
 DATE: 09/10/2020
 SCALE: 1 : 8
 ISSUE: B

MATERIAL:
 Mild Steel Fabrication
 FINISH:
 EPC RAL 9002

TITLE:
 Skimit - Belt Skimmer - GA

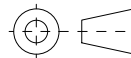
DRG N°:
 PE1-1453

SHEET N°:
 1 of 3



PUMPS & EQUIPMENT (WARWICK) LTD. © 2020
 6 COLLINS ROAD, HEATHCOTE INDUSTRIAL ESTATE,
 WARWICK CV34 6TF
 Tel: +44 (0) 1926 451744

ALL DIMENSIONS IN MILLIMETERS.
 TOLERANCES ON MACHINED DIMENSIONS:
 UNLESS OTHERWISE STATED ± 0.2
 ANGLES ± 0.2°



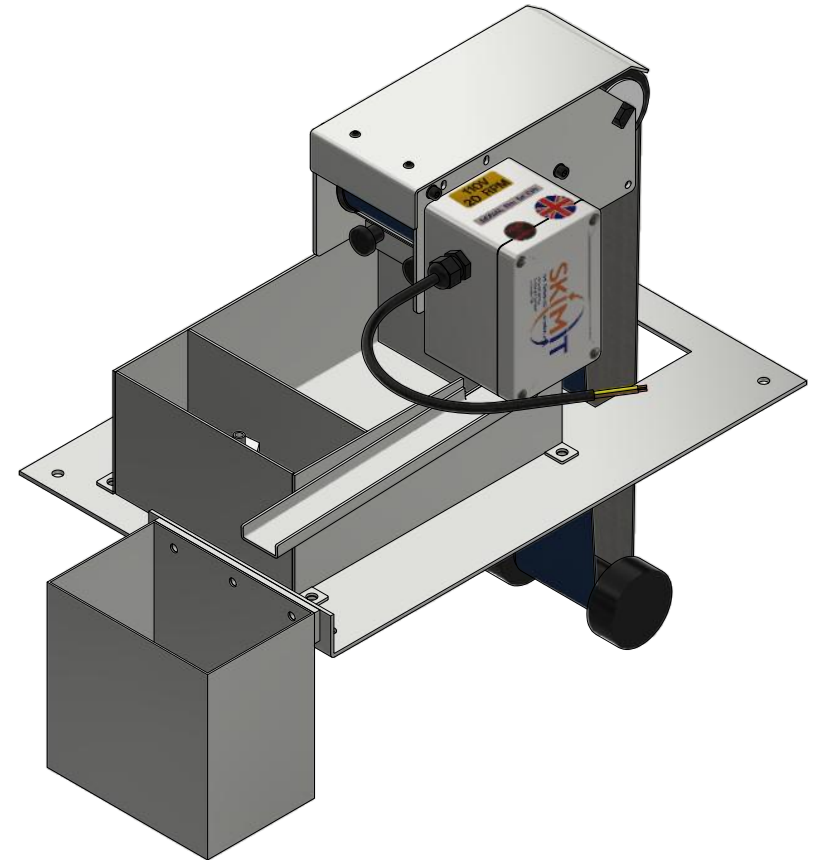
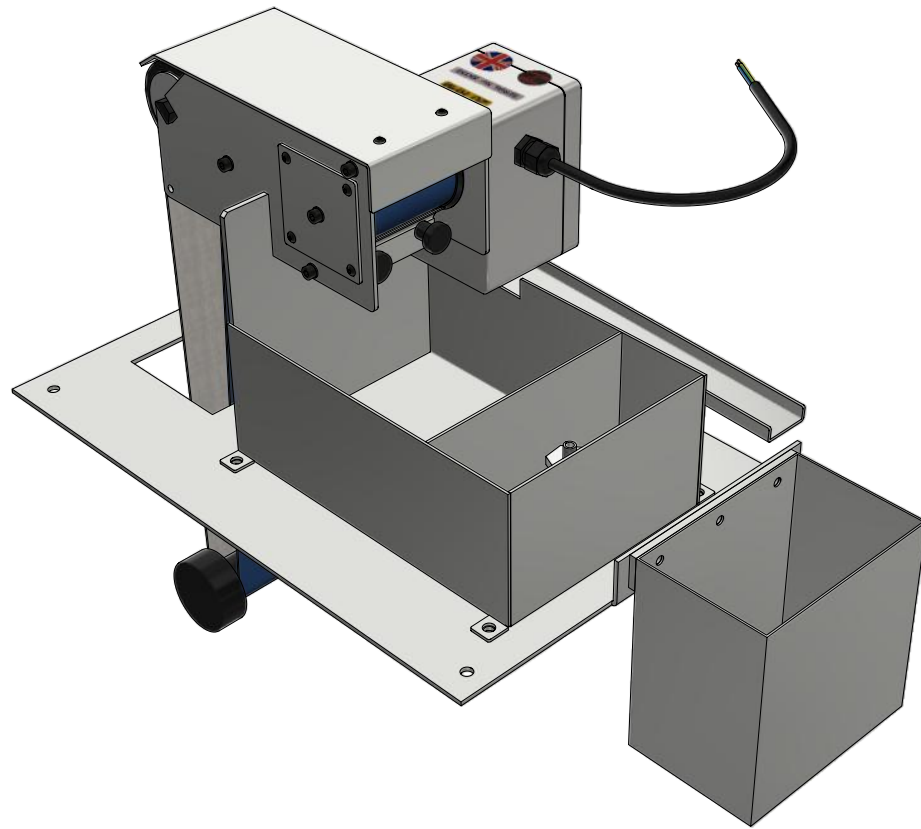
DRAWN: DL
 DATE: 09/10/2020
 SCALE: 1 : 5
 ISSUE: B


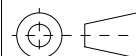
MATERIAL:
 Mild Steel Fabrication
 FINISH:
 EPC RAL 9002

TITLE:
 Skimit - Belt Skimmer - GA

DRG N°:
 PE1-1453

SHEET N°:
 2 of 3



	PUMPS & EQUIPMENT (WARWICK) LTD. © 2020 6 COLLINS ROAD, HEATHCOTE INDUSTRIAL ESTATE, WARWICK CV34 6TF Tel: +44 (0) 1926 451744	DRAWN: DL	MATERIAL: Mild Steel Fabrication	TITLE: Skimit - Belt Skimmer - GA	
		DATE: 09/10/2020		SCALE: 1 : 5	DRG N°: PE1-1453
ALL DIMENSIONS IN MILLIMETERS. TOLERANCES ON MACHINED DIMENSIONS: UNLESS OTHERWISE STATED ±0.2 ANGLES ±0.2°			FINISH: EPC RAL 9002		
		ISSUE: B			