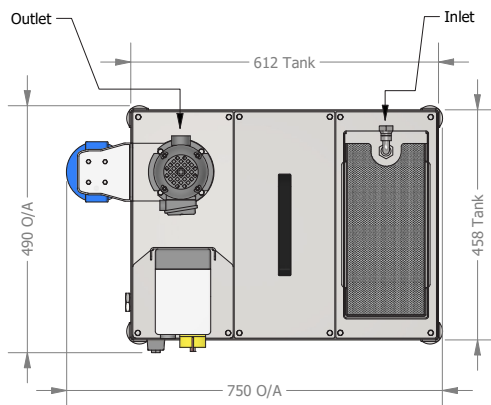


AQUADEL

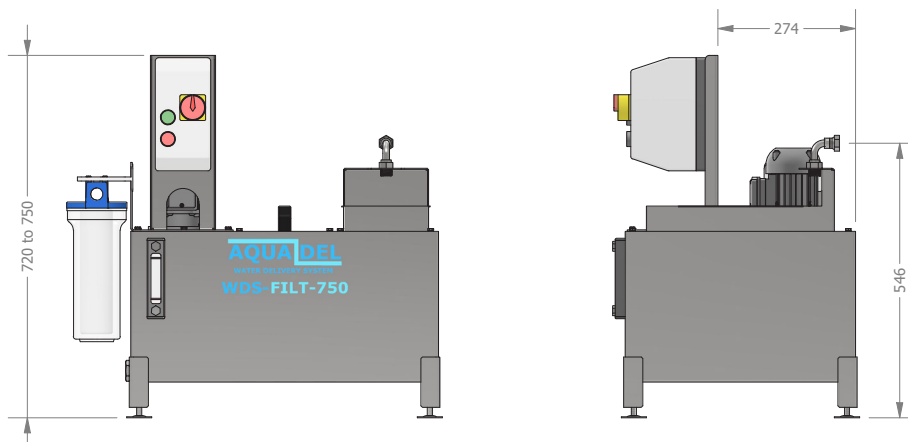
WATER DELIVERY SYSTEM



Designed specifically to work with Grinder-Polishers, Compression Mounting Press and Thin Section Machines, the AquaDel® coolant filtration system filters and circulates water through a replaceable cartridge filter, ensuring a steady flow of clean water for your application.



- | | |
|----------------------------|-------------------------|
| - Inlet - | Flooded Suction |
| - Capacity - | 75 Litres |
| - Maximum Pressure - | 6.5 Bar |
| - Maximum Flow - | 40 Litres |
| - RPM - | 2720 |
| - Voltage - | 230V / 400V
(Option) |
| - Power - | 4.85 / 2.8 Amps |
| - Kilowatts - | 1.1KW |
| - Single Filter Cartridge- | 1 micron |
| - Integrated Control Panel | |



DESIGNED AND MANUFACTURED BY



**Pumps &
Equipment**



www.pumps-equip.co.uk